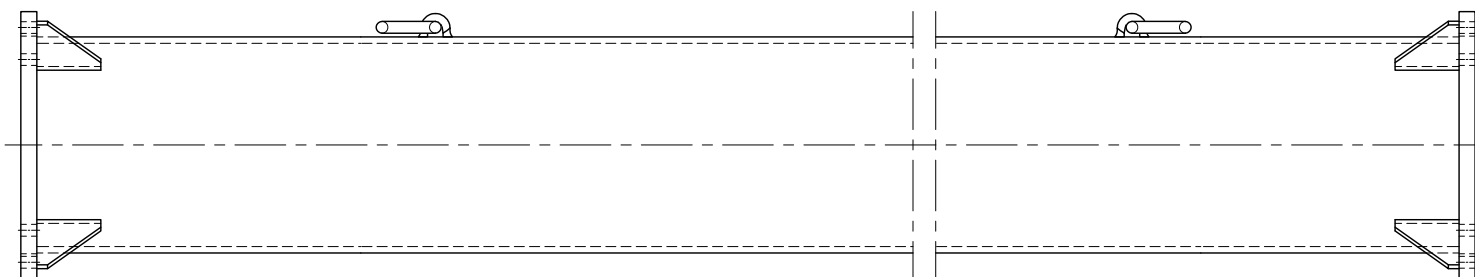
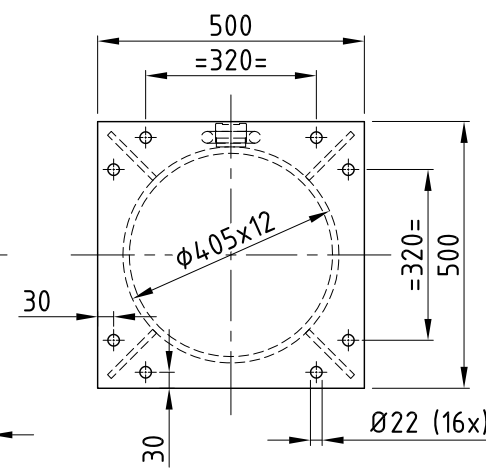


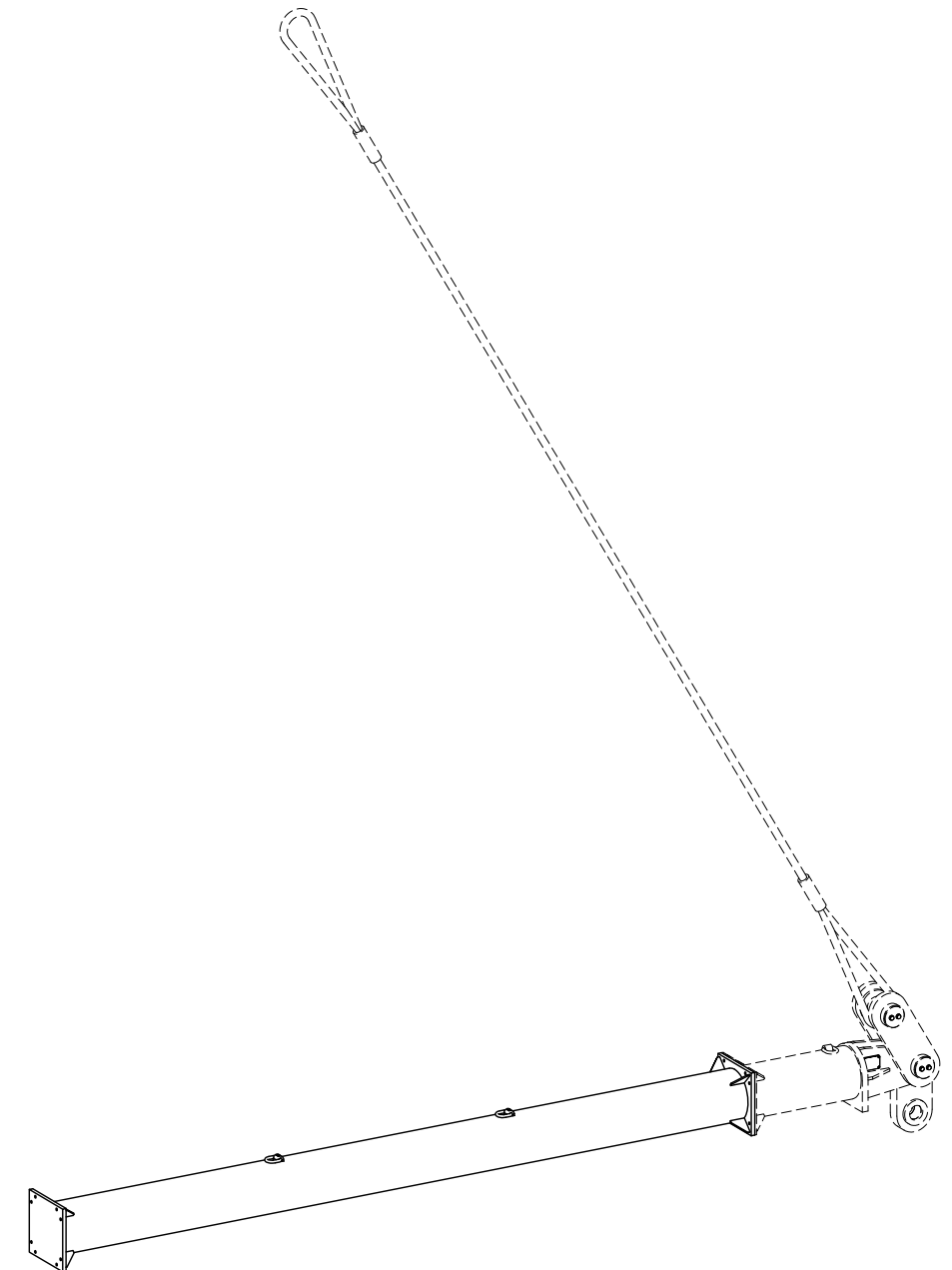
Topview



Sideview



Frontview



Isometric-view

As	Cross Section Area (cm ²)	
Wx	Moment of Resistance (cm ³)	
Wy	Moment of Resistance (cm ³)	
Ix	Moment of Inertia (cm ⁴)	
Iy	Moment of Inertia (cm ⁴)	
	Material	S235

Q	CAPACITY (Te)	-			
V	VOLUME (m ³)	1.5			
M	WEIGHT (kg)	817			
Frt	FREIGHT (Te)	1.5			
	REFERENCE:	SAP No.: 7000133207			
	INTERNAL PROJECT No:	40003-NL03			
00	Equipment Book		MJ	HdL	WH
REV.	DESCRIPTION:	DATE:	DRAWN:	CHECKED:	APPROVED:

CLASS: **05 LIFTING**
 SUB GROUP: **Lifting Beams**
 DESCRIPTION: **Liftingbeam Section Pipe Ø405x12 L=6.00 m**



THIS PUBLICATION REMAINS THE PROPERTY OF THE PUBLISHER AND SHALL BE TREATED AS CONFIDENTIAL, UNLESS CONTRACTUALLY SPECIFIED OTHERWISE. NO PART OF IT MAY BE REPRODUCED, STORED IN A RETRIEVAL SYSTEM OR TRANSMITTED IN ANY FORM OR BY ANY MEANS, WITHOUT THE PRIOR WRITTEN PERMISSION OF THE PUBLISHER.
 © 2000 MAMMOET [CQSP-02-01-03]

SAP No:	SCALE:	SIZE:	DRAWING NUMBER	
7000000464	1:10	A2	EQUIPMENT No:	REV.
			LB-PIP-L600-1 - 00	